

# LIGHTING

NWP SERIES



## NON-METALLIC EMERGENCY OPTION SURFACE MOUNT LUMINAIRES



Wall Mounted



Ceiling Mounted



Exit Sign



### FEATURES-SPECIFICATIONS

# ENVIORITE®

**Surface Mount Luminaires**  
**13-26W Fluorescent**  
**Applications**

Killark's NWP Series of fluorescent luminaires are designed for task lighting of wet & corrosive NEMA 4X environments and hazardous locations.

Typical uses include manufacturing plants, chemical and petrochemical processing facilities, sewage treatment plants, off-shore and dockside installations, agricultural, commercial, industrial, and mining facilities.

NWP surface mount luminaires contain no exposed glass and carry Class II, F&G ratings required for many food processing areas.

#### Features

- Non-metallic housing has a lightweight yet robust low profile construction
- Can be wall mounted or ceiling mounted in horizontal or vertical position
- Energy and labor saving fluorescent
- Emergency and normal power models available.
- Emergency version has internal battery which provides 90 minutes of illumination in the event of a power failure
- Resists corrosive effects of most chemicals, hydrocarbons and solvents
- Designed for indoor and outdoor applications
- Includes fluorescent lamp
- 'World Voltage' ballasts for 120VAC through 277VAC 50/60Hz installations
- Wiring terminals are included as standard

#### Materials

- Enclosure - High strength polycarbonate
- Gasket - Silicone
- External Hardware - Stainless steel
- Lens - Lexan®
- Entry - One 3/4" NPT copper-free aluminum hub with 3/4 x 1/2" reducer is standard. A second hub may be purchased separately.

Lexan® is a registered trademark of General Electric

### Catalog Number Logic

**Catalog Number Logic**    **NWP**    **00**    -    **00(00)**    -    **00(00)**    -    -

**Constant for NWP series**   

**Power & Ballast Type**

FN – Fluorescent Normal Power  
 FE – Fluorescent w/Battery Backup

**Lamp Wattage**

13-13W (AC Normal only operation)  
 18-18W (AC Normal only operation)  
 26-26W (AC or DC Normal only operation)  
 1313-13W (AC ballast w/Battery backup)  
 1818-18W (AC ballast w/Battery backup)  
 0013- 13W Emergency only  
 0018-18W Emergency only  
 0026 – 26W Emergency only<sup>Ⓜ</sup>

**Supply (input) voltage**  
 30 - 120-277V 50/60Hz  
 DC120 - FN26 <sup>us</sup>  
 FN26 self-certified

<sup>us</sup>    Certified - File LR11713

**Class I, Div. 2, Groups A,B,C,D**  
**Class I, Zone 2, Groups IIC, IIB, IIA**  
**Class II, Div. I, Groups F,G**  
**Class III**  
**Marine**  
**NEMA 3, 4, 4X**  
**IP66**

#### HUBS & ACCESSORIES

- A-3/4" Single Entry aluminium
- P-3/4" Single Entry PVC coated zinc
- S- 3/4" Single Entry Stainless Steel
- M- M20 Single Entry\*
- AA-3/4" Feed-Thru, Aluminium
- PP-3/4" Feed -Thru, PVC Coated Zinc
- SS- 3/4" Feed-Thru, Stainless Steel
- MM- M20 Feed-Thru Entry\*
- P1-Photocell 120V\*\*
- P2-Photocell 208-277V\*\*

\*Certification Pending

\*\*Photocells for FN Models only – Class I, Div.2 NEMA 4X only.

NWP WALLPACK 13 - 26W FLUORESCENT WITH ONE 3/4" ALUMINUM HUB					
LAMP	VOLTAGE	DESCRIPTION	CATALOG NUMBER ①	MAX.AMBIENT SUITABILITY③	MIN START
<b>NORMAL POWER MODELS - AMBIENT SUITABILITY 40°C MAX.</b>					
1-13W	120-277V 50/60HZ	13W WALL OR CEILING	NWPFN1330A	40°C	15°C
1-18W	120-277V 50/60HZ	18W WALL OR CEILING	NWPFN1830A	40°C	15°C
1-26W	120-277V 50/60HZ	26W WALL OR CEILING	NWPFN2630A	40°C	15°C
1-26W	120V DCK	26W WALL OR CEILING	NWPFN26DC120A	40°C	15°C
<b>NORMAL AND EMERGENCY MODELS</b>					
1-13W	120-277V 50/60HZ	13W WALL OR CEILING	NWPF131330A	35°C	15°C
1-18W	120-277V 50/60HZ	18W WALL OR CEILING	NWPF181830A	30°C	15°C
<b>EMERGENCY ONLY MODELS - AMBIENT SUITABILITY 40°C MAX.</b>					
1-13W	120-277V 50/60HZ	13W WALL OR CEILING	NWPF001330A	40°C	0°C
1-18W	120-277V 50/60HZ	18W WALL OR CEILING	NWPF001830A	40°C	0°C
1-26W	120-277V 50/60HZ	26W WALL OR CEILING	NWPF002630A	40°C	0°C
1-26W	120V DC2	26W WALL OR CEILING	NWPF0026DC120A	40°C	0°C

① Provided with one 3/4 aluminum hub as standard.

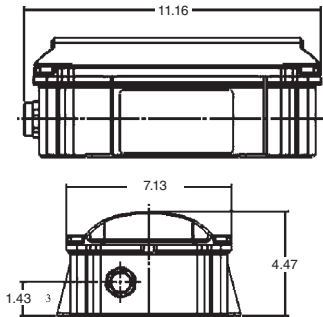
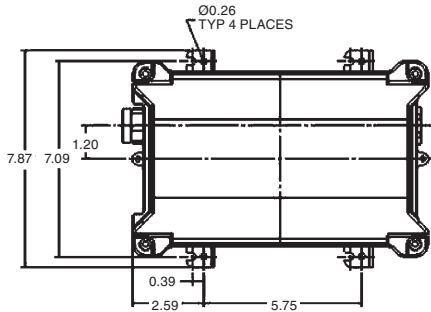
② NWPFN120V DC model is cSAsus, NWPF120V DC emergency-only model is Killark self-certified.

③ T-code measurements taken in 40°C ambient; operating ambient reduced for normal and emergency models to maintain battery performance.



## NON-METALLIC EMERGENCY OPTION SURFACE MOUNT LUMINAIRES

### Keyhole Slots Provided for Ease in Mounting



### TECHNICAL DATA

T-CODES @ 40C ③					
WATTS	Class I Div. 2		Class II Div. 2	Minimum Start	
	①	②		C°	F°
13W	T3	T6	F,G	-15	4
18W	T3	T3	F,G	-15	4
26W	T3	T3	F,G	-15	4

- ① Normal power or normal + emergency
- ② Emergency only models
- ③ See catalog grids for ambient suitability

### BOLT ON EXIT SIGN



### Catalog Number NWP-EXIT-SIGN DESCRIPTION

Bolt-on Exit Sign accessory includes hardware to mount to fixture and ability to make arrows left, right or none. Construction white painted steel and nonglass red diffuser, with bottom opening for downlight.

### ACCESSORIES

FIELD HUB KITS	
CATALOG #	DESCRIPTION
NWP-HUBA	Aluminum hub, gasket, locknut
NWP-HUBP	Precoated zinc hub, gasket, locknut
NWP-HUBS	Stainless steel hub, gasket, locknut
NWP-HUBM	M20 Plated Brass

### FLUORESCENT OPERATING MAX. AMPS

TYPE	120VAC	277VAC
13W Fluorescent	.144	.067
18W Fluorescent	.158	.073
26W Fluorescent	.22	.097

Use .1 Amp for 'Emergency Only' units, or as an adder for Normal & Emergency models.

### PHOTOMETRICS

**NWPFN2630x**  
Candlepower - 26 Watt  
CFL26 lamp 1800 lumens  
For 13 Watt multiply by .50  
For 18 Watt multiply by .67

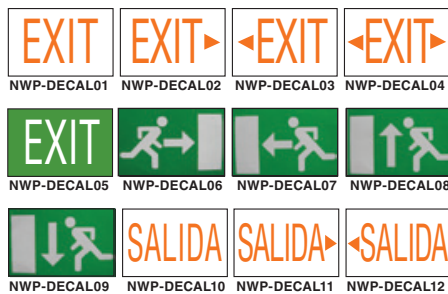


### Zonal Lumen Summary

Zone	Lumens	%Lamp	%Fixt
0-30	275	15.30%	20.30%
0-40	463	25.70%	34.20%
0-60	886	49.20%	65.50%
0-90	1301	72.30%	96.10%
90-120	52	2.90%	3.90%
90-130	52	2.90%	3.90%
90-150	52	2.90%	3.90%
90-180	52	2.90%	3.90%
0-180	1353	75.20%	100

Total Luminaire Efficiency = 75.2%  
Space to Mt. Ht. Ratio: End 1.3; Side 1.4  
Certified Report BAL 15312.0

### SELF ADHESIVE DECALS



Optional decal styles available upon request - Minimums apply.

Factory installed decals, order as FAD\_... Example FAD01.

NWP REPLACEMENT PARTS & LAMPS	
CATALOG #	DESCRIPTION
NWP-LENSONLY	Replacement Lens
NWP-KFBP7	Replacement battery pack
MQL13	13W Quad-pin lamp
MQL18	18W Quad-pin lamp
MQL26	26W Quad-pin lamp

### CANDLEPOWER DISTRIBUTION

VERT ANG	HORIZONTAL ANGLE			
	0	22.5	45	67.5
0	340.	340.	340.	340.
5	338.	339.	338.	339.
10	335.	336.	337.	339.
15	329.	330.	335.	337.
20	322.	324.	330.	335.
25	309.	314.	321.	325.
30	294.	302.	310.	320.
35	278.	285.	300.	314.
40	258.	267.	288.	308.
45	236.	247.	278.	299.
50	210.	224.	264.	287.
55	180.	201.	247.	267.
60	147.	178.	228.	247.
65	115.	146.	202.	231.
70	84.	114.	175.	210.
75	64.	81.	153.	186.
80	38.	54.	117.	143.
85	26.	36.	83.	114.
90	17.	20.	57.	87.
95	13.	11.	29.	50.
100	10.	5.	18.	38.
105	12.	5.	9.	18.
110	12.	4.	4.	9.
115	10.	3.	2.	5.
120	6.	2.	1.	3.
125	2.	0.	0.	1.
130	0.	0.	0.	0.
135	0.	0.	0.	0.
140	0.	0.	0.	0.
145	0.	0.	0.	0.
150	0.	0.	0.	0.
155	0.	0.	0.	0.
160	0.	0.	0.	0.

